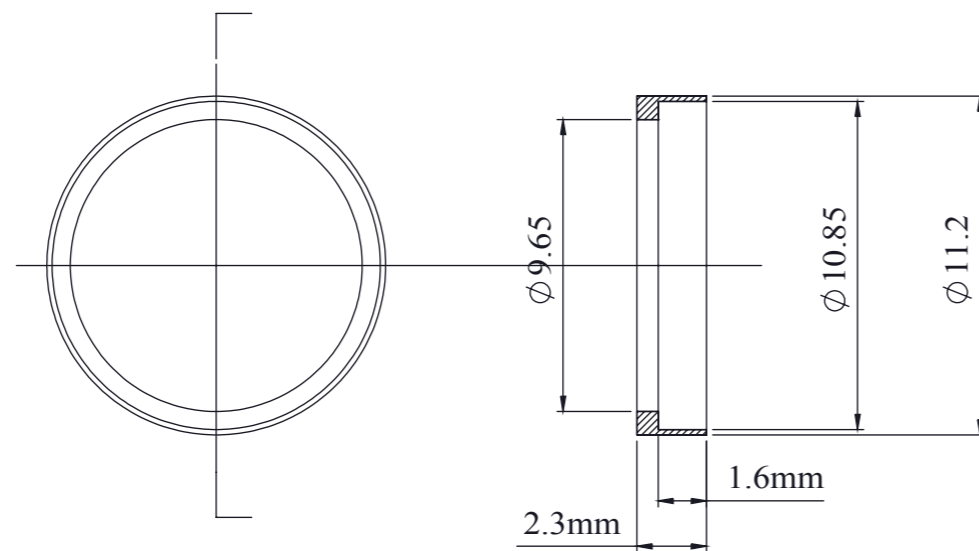


Dimensions



ORDER No	COLOUR
343-0100	BLACK
343-0200	BLUE
343-0400	GREEN
343-0500	RED
343-0600	WHITE
343-0700	YELLOW

Tel No.+44(0)1724273200 Website www.dem-uk.com



PROPRIETARY AND CONFIDENTIAL
 THE INFORMATION CONTAINED IN THIS DRAWING IS THE SOLE PROPERTY OF
ALPHA 3 MANUFACTURING.
 ANY REPRODUCTION IN PART OR AS A WHOLE WITHOUT THE WRITTEN
 PERMISSION OF
ALPHA 3 MANUFACTURING IS PROHIBITED.



DEM Manufacturing, Deltron Emcon House
 Hargreaves Way, Sawcliffe Ind. Park,
 Scunthorpe, North Lincolnshire, DN15 8RF, UK

UNLESS OTHERWISE SPECIFIED:
 DIMENSIONS ARE IN MILLIMETRES
 LINEAR TOLERANCE:
NO DECIMAL PLACES $\pm 0.5\text{mm}$
1 DECIMAL PLACE $\pm 0.25\text{mm}$
2 DECIMAL PLACES $\pm 0.125\text{mm}$
 ANGULAR TOLERANCE: $\pm 1^\circ$

FINISH	.	DEBURR AND BREAK SHARP EDGES
MATERIAL	-	

DRAWN BY	SW
APPROVED BY	WC
THIRD ANGLE PROJECTION	SHEET 1 OF 1
	SCALE 1:1
	A3

TITLE	GENERAL SPECIFICATIONS FOR 343 SERIES PHONO IDENTIFICATION RING	
DRAWING NO.	343 Series	ISSUE 01
		Release

IF IN DOUBT ASK
DO NOT SCALE DRAWING

